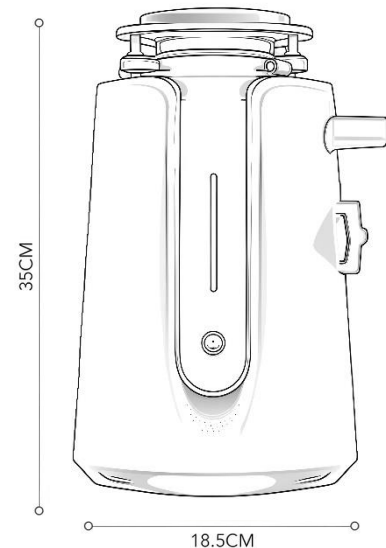


## Model No: MFD-1101 Food Waste Disposer

## Specification Sheet

### PRODUCT SPECIFICATIONS

<b>Motor Power:</b>	1.0 Hp / 700W
<b>RPM:</b>	3300
<b>Special Features:</b>	<ul style="list-style-type: none"> <li>•BLDC Motor</li> <li>•Auto Reverse</li> <li>•Sound Insulation</li> <li>•Overload Protector</li> <li>•Auto Stop in 5 Minutes</li> <li>•Very Quiet Sound Levels</li> <li>•Spiral Scour Drainage</li> <li>•Eight Stage Exquisite Grinding</li> <li>•Finely gring food waste to 1.5mm particle and solve sewer blockage problem.</li> <li>•On/off Control: Wireless Switch</li> <li>•Grinding Chamber Capacity: 1350ML</li> </ul>
<b>Voltage:</b>	220V / 50hz
<b>Current:</b>	3.0 Amp
<b>Motor Type:</b>	BLDC Motor
<b>On/Off Control:</b>	Wireless Control Switch
<b>Height:</b>	350 mm ( 13.8 " )
<b>Base Width:</b>	185 mm ( 7.3 " )
<b>Mouth Width:</b>	85 mm ( 3.3 " )
<b>Drain Connection Size:</b>	40*600mm / 1.6" *23.6"
<b>Max Sink Thickness</b>	20mm / 0.8"
<b>Internal Grind Component Material</b>	Stainless Steel
<b>Grinding Chamber Capacity</b>	1350ml
<b>Sound Level</b>	< 50 db
<b>Color</b>	Black
<b>Machine Net Weight</b>	5.5 Kgs
<b>Included Accessories</b>	Drainage Hose, T-Connector, Wireless Switch



**Note:**

- Manual measurement of various sizes has a certain error. Please refer to the actual product!
- The product may be slightly different from the picture due to the display of lights and displays.

For Warranty information and terms and conditions about this product, please [click here](#) or visit [www.morzze.com](http://www.morzze.com)